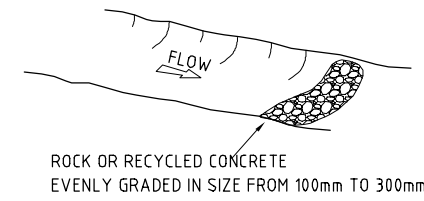
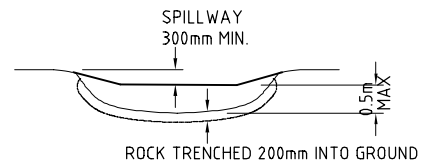
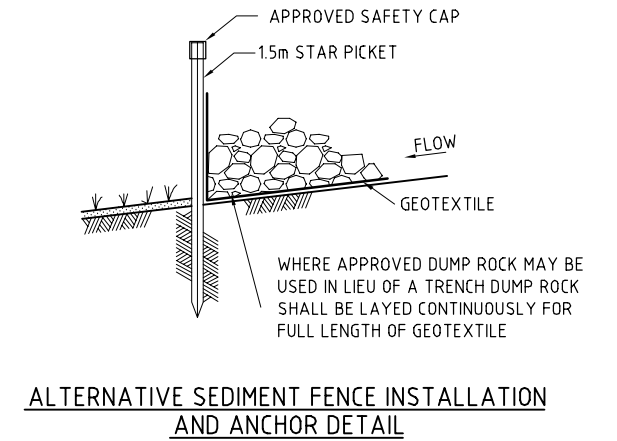
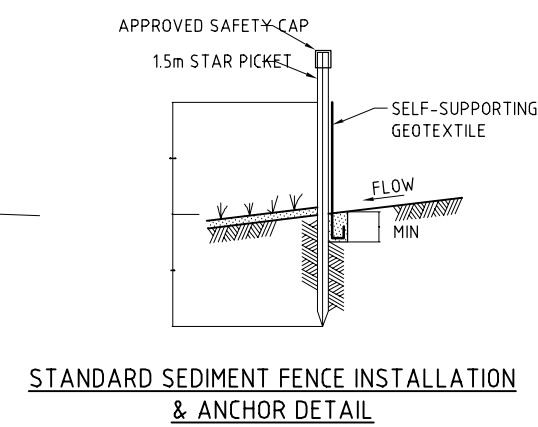


NOTES:

1. THE CONTRACTOR SHALL UPDATE CONCEPT EROSION AND SEDIMENT CONTROL PLAN AND SUBMIT TO DOI FOR APPROVAL PRIOR TO WORKS. UPDATED PLAN TO INCLUDE PROPOSED SITE LAYDOWN AREA AND ACCESS POINTS.
2. THE CONTRACTOR SHALL BE RESPONSIBLE FOR THE CONTROL OF ALL TRAFFIC INTO AND OUT OF THE SITE INCLUDING THE MOVEMENT OF CONSTRUCTION TRAFFIC WITHIN THE SITE. THE CONTRACTOR SHALL MAINTAIN DUST SUPPRESSION MEASURES TO THE SATISFACTION OF THE SUPERINTENDENT. ACCESS TO THE SITE SHALL BE LIMITED TO LOCATIONS SPECIFIED ON THE CONSTRUCTION ESCP.
3. INSPECT ALL SEDIMENT CONTROL DEVICES WEEKLY AND AFTER STORMS FOR STRUCTURAL DAMAGE OF CLOGGING. REMOVE ALL SILT TO MAINTAIN SILTATION STORAGE CAPACITY. REPAIR ANY DAMAGE AND MAKE GOOD TO THE SATISFACTION OF THE SUPERINTENDENT.
4. SILT REMOVED FROM SEDIMENT CONTROL DEVICES SHALL BE DUMPED AT A LOCATION THAT PREVENTS SILT RE-ENTERING THE SYSTEM LOCATION SHALL BE TO THE APPROVAL OF THE SUPERINTENDENT.
5. DIVERT STORMWATER RUNOFF AWAY FROM DISTURBED GROUND AND INTO THE STORMWATER DRAINAGE SYSTEM WHERE PRACTICAL TO DO SO.
6. ANY CHANGES TO THE EROSION AND SEDIMENT CONTROL PLAN SHALL BE SUBMITTED BY THE CONTRACTOR TO THE SUPERINTENDENT FOR APPROVAL PRIOR TO COMMENCEMENT OF WORKS.
7. WORKS TO COMMENCE JUL 2017.
8. ALL WORKS SHALL BE CARRIED OUT IN ACCORDANCE WITH THE PROJECT SPECIFICATION.

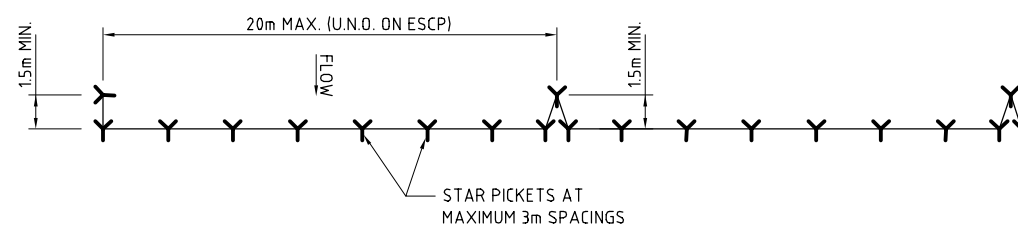


SPACING OF CHECK DAMS ALONG CENTRELINE AND SCOUR PROTECTION BELOW EACH CHECK DAM TO BE SPECIFIED ON ESCP

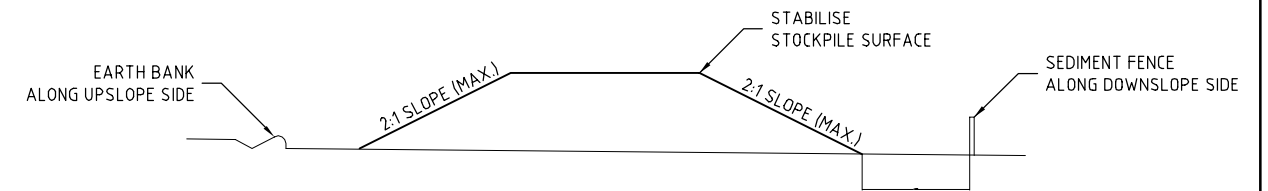


SEDIMENT FENCE CONSTRUCTION NOTES:

1. CONSTRUCT ALL SEDIMENT CONTROL FENCES ALONG THE CONTOUR WHERE POSSIBLE. WHERE SEDIMENT CONTROL FENCES ARE NOT CONSTRUCTED ALONG THE CONTOUR INCORPORATE RETURN PANELS AT REGULAR INTERVALS NOT EXCEEDING 20m. REFER DETAIL ON THIS PAGE.
2. DIG A 150mm DEEP TRENCH ALONG THE UPSLOPE LINE OF THE FENCE FOR THE BOTTOM OF THE FABRIC TO BE ENTRENCHED.
3. BACKFILL TRENCH OVER BASE FABRIC.
4. FIX SELF-SUPPORTING GEOTEXTILE TO UPSLOPE SIDE OF POSTS WITH WIRE TIES OR AS RECOMMENDED BY GEOTEXTILE MANUFACTURER.
5. JOIN SECTIONS OF FABRIC AT A SUPPORT POST WITH A 150mm OVERLAP.
6. WHERE APPROVED BY THE SUPERINTENDENT DUMP ROCK MAY BE USED TO ANCHOR THE GEOTEXTILE IN LIEU OF A TRENCH.
7. ALTERNATIVE SILT FENCE INCLUDING MULCH BARRIER WILL BE CONSIDERED.



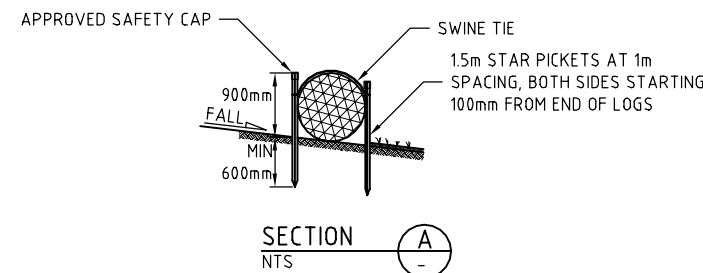
SEDIMENT FENCE INSTALLATION DETAILS
NTS



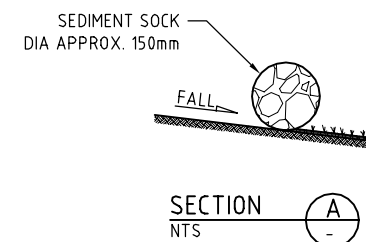
STOCKPILE DETAIL
NTS

ROCK CHECK DAM NOTES:

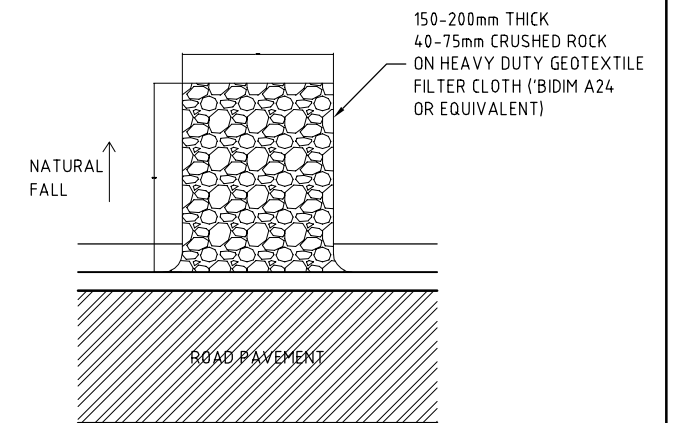
1. TRENCH STRUCTURE 200mm INTO GROUND SURFACE WHEREVER THE STRUCTURE CONTACTS THE GULLY BASE. FILL TRENCHES TO 100mm ABOVE GROUND SURFACE TO REDUCE RISK OF UNDERCUTTING.
2. ENSURE HEIGHT OF SPILLWAY IS LESS THAN 0.5m ABOVE THE FULLY FLOOR.
3. SPACE CHECKS DAMS AS SHOWN ON THE DRAWINGS.



SECTION
NTS



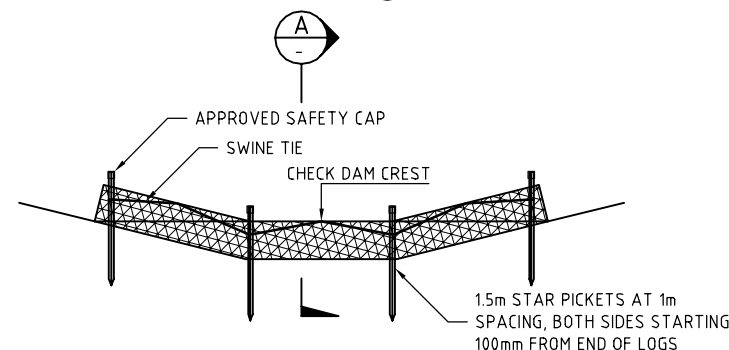
SECTION
NTS



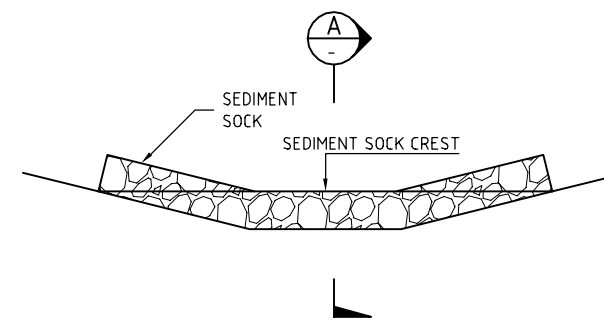
SITE ACCESS LAYOUT DETAIL
NTS

STANDARD DRAWINGS:

- SD-CD-1 CATCH DRAIN
- SD-CD-2 CATCH DRAIN
- SD-SF-1 SEDIMENT FENCE
- SD-SF-2 SEDIMENT FENCE
- SD-RCD-1 ROCK CHECK DAM



COIR LOG DETAILS
NTS



SEDIMENT SOCK IN OUD DETAILS
NTS

ISSUED FOR INFORMATION

| | | | | | | | | | | | | |
|---|------------------------|----------|----|--------|--|--|----------------------|--------------------|---|---------------------------|----------------|------------------|
| <p>A.C.N 001 024 095 Jacobs Group (Australia) Pty. Ltd. Level 2, 23-25 Parap Road Parap, Darwin NT 0820 AUSTRALIA</p> | | | | | <p>Project No: IW110800 Tel: +61 8 8982 4800 Fax: +61 8 8982 4840 Web: www.jacobs.com</p> | | | | <p>DARWIN MARRARA RAPID CREEK FLOOD MITIGATION EROSION AND SEDIMENT CONTROL NOTES AND DETAILS</p> | | | |
| 0 | ISSUED FOR INFORMATION | 01032017 | PS | JACOBS | DRAWN JP DATE 25.11.16 DESIGNED PME DATE 25.11.16 DESIGN PROJECT LEADER - DATE - | CHECKED - DATE - CHECKED - DATE - NTG PROJECT MANAGER - DATE - | NTG PROJECT No. - | NTG ASSET No. - | SHEET No. OF | NTG DRAWING No. SK-002 | AMENDMENT 0 | SHEET SIZE A1 |